

Metal profiles UA50 NIDA Metal

Technical Data Sheet

Description:

UA50 is a galvanized thick sheet steel metal profile, 2 mm thick, with a "U" shaped section, manufactured by cold working and punching on its base.

Characteristics:

| | | |
|---------------------------------|---------------------------------------------------------------------------------|---------|
| Reference standard | DIN 18182-1:2007 | |
| Material | tape OL DX51D+Z according to SR EN 10346:2009 | |
| Fire reaction | class A1 | |
| Length* | 3000 mm ±3 4000 mm ±4 | |
| Width | 48,8 mm ±0,2 | |
| Height | 40 mm ±1 | |
| Nominal thickness | 2 mm ±0,1 | |
| Galvanization | minimum 100 g/m ² on both sides Zn coating thickness = minimum 7.1µm | |
| Net weight | 1,87 kg/ml | |
| Resistance | 180 N/mm ² | |
| Testing | according to SR EN 14105:2005-5 | |
| Content of hazardous substances | None: according to EU regulations | |
| Labeling/markings | Labeling/markings printing "UA50" length, width, date, | |
| Packaging | 50 pcs/package | |
| European standard | SR EN 14195:2006 | |
| SAP code | 3000mm | 4042751 |
| | 4000mm | 4042753 |

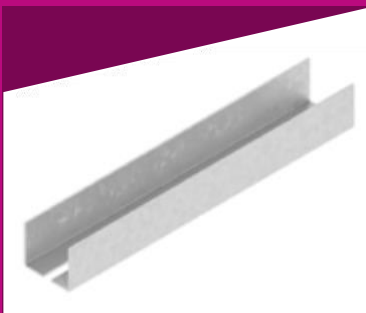
*Upon request, custom sizes can be manufactured, up to 6000 mm.

Use:

► The UA50 profile is used for the construction of door or window openings, additional reinforcement of walls, linings or NIDA System ceilings.

The updated technical data sheet available on Siniat website, on the product page.

Direct link: [Metal profiles UA50 NIDA Metal](#)





Resistance to corrosion



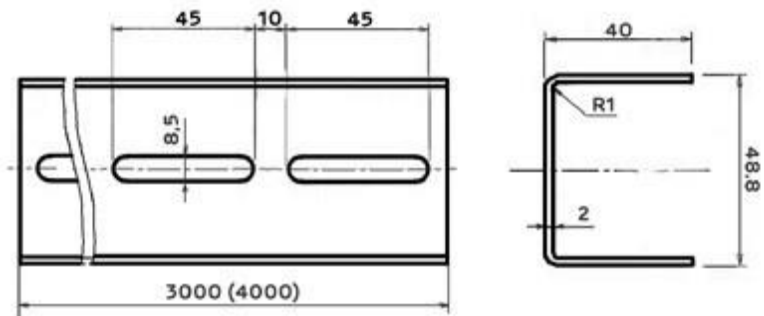
Technical performance



Durability



Recyclable product



Technical specifications:

- ▶ Galvanization provides corrosion protection, maintaining the properties over time.
- ▶ The profile surfaces can be ribbed, shaped or have protruding edgings.

Recommendations, storage and transport:

- ▶ Store the products in covered areas, away from weather and protected from excessive humidity
- ▶ When handling and transport, please consider the impact with hard bodies can cause local deformations.

Certification:

- ▶ The product meets the SR EN 14195 standard requirements on

“Metal framing components for gypsum plasterboard systems: Definitions, requirements and test methods”;

- ▶ The product is in compliance with:

G.D. No. 1022/2002 on the products and services that may endanger life, health and safety and environment;

G.D. No. 622/2004 with subsequent modifications and completions establishing the conditions for marketing of construction products, the provisions on compliance, specifications and technical guidance documents.

Safety measures:

- ▶ The product is not classified as hazardous, it is not harmful and does not endanger life, health or safety of its users if used in normal conditions, according to its intended use.
- ▶ When mounting, please consider the edges can cause cuts and wearing protection gloves is recommended.