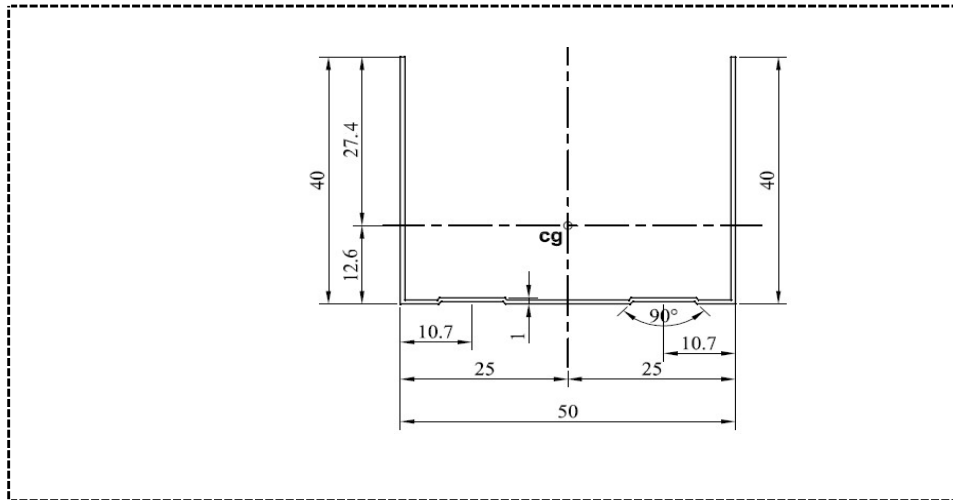


Code: UW/40/50/40 x 0,6



SCALE

1 : 1

<u>Dimension</u>	<u>Value</u>	<u>Unit</u>
Thickness:	0,6	mm
Section area:	20,00	cm ²
Unitary mass:	0,6066	kg/m
Moment of Inertia Iyy:	3,51	cm ⁴
Moment of Inertia Izz:	1,33	cm ⁴
Resistance Modulus Wyy:	1,39	cm ³
Resistance Modulus Wzz:	0,49	cm ³
Position of center of gravity (cg):	y1= 12,61 z1=25,0	mm

Reaction to Fire:	A1	Tensile Strength:	>140	MPa
Material:	min. Class DX51D	Coating :	min. Class Z100	(7µm)
Release of Hazardous Substances:	Not any	Straightness:	<L/400	