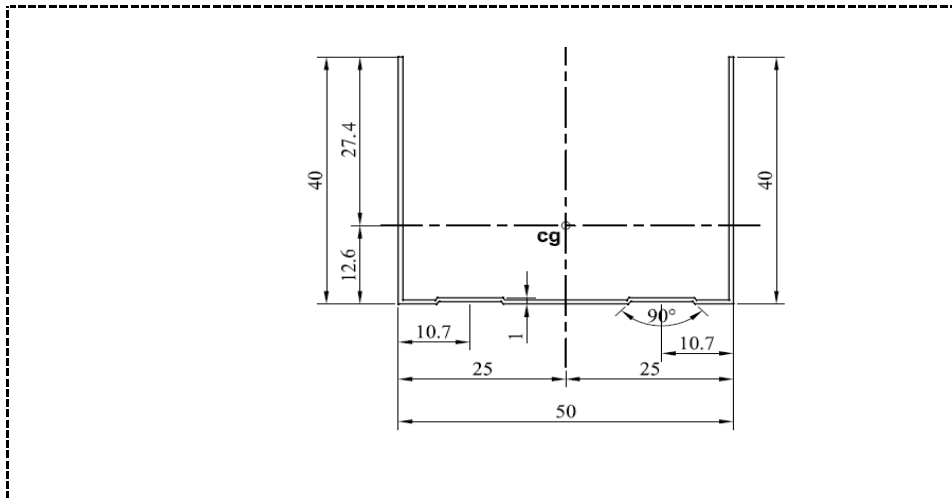


Code: UW/40/50/40 x 0,6



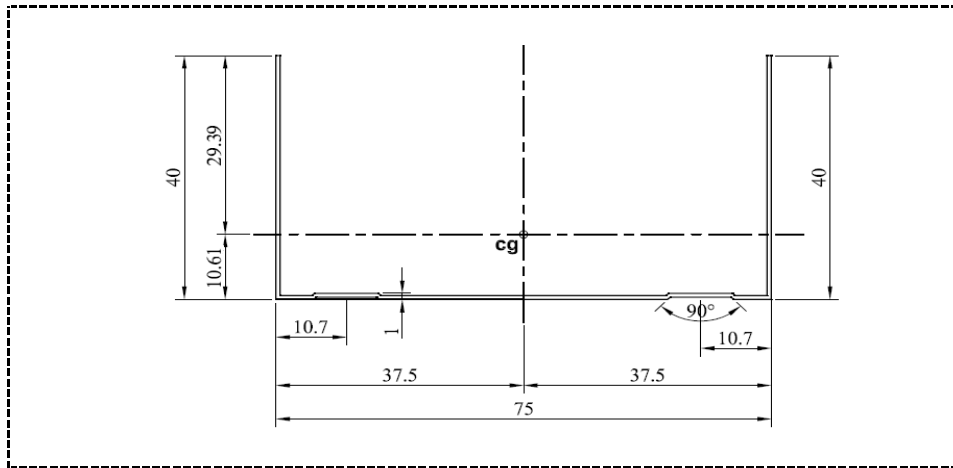
SCALE

1 : 1

<u>Dimension</u>	<u>Value</u>	<u>Unit</u>
Thickness:	0,6	mm
Section area:	20,00	cm ²
Unitary mass:	0,6066	kg/m
Moment of Inertia Iyy:	3,51	cm ⁴
Moment of Inertia Izz:	1,33	cm ⁴
Resistance Modulus Wyy:	1,39	cm ³
Resistance Modulus Wzz:	0,49	cm ³
Position of center of gravity (cg):	y1= 12,61 z1=25,0	mm

Reaction to Fire:	A1	Tensile Strength:	>140	MPa
Material:	min. Class DX51D	Coating :	min. Class Z100	(7µm)
Release of Hazardous Substances:	Not any	Straightness:	<L/400	

Code: UW/40/75/40 x 0,6

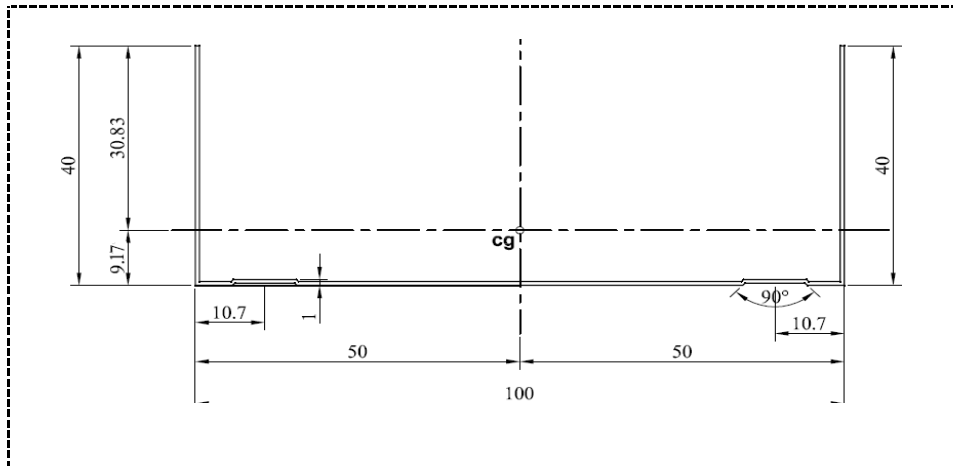


SCALE
1 : 1

<u>Dimension</u>	<u>Value</u>	<u>Unit</u>
Thickness:	0,6	mm
Section area:	30,00	cm ²
Unitary mass:	0,7305	kg/m
Moment of Inertia Iyy:	8,65	cm ⁴
Moment of Inertia Izz:	1,52	cm ⁴
Resistance Modulus Wyy:	2,28	cm ³
Resistance Modulus Wzz:	0,52	cm ³
Position of center of gravity (cg):	y1= 10,61 z1=37,5	mm

Reaction to Fire:	A1	Tensile Strength:	>140	MPa
Material:	min. Class DX51D	Coating :	min. Class Z100	(7µm)
Release of Hazardous Substances:	Not any	Straightness:	<L/400	

Code: UW/40/100/40 x 0,6

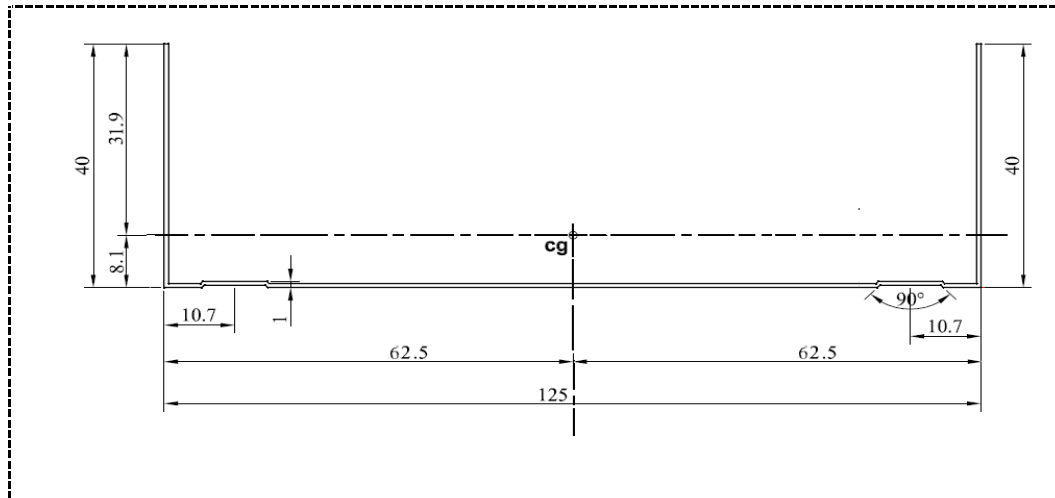


SCALE
1 : 1

Dimension	Value	Unit
Thickness:	0,6	mm
Section area:	40,00	cm ²
Unitary mass:	0,8421	kg/m
Moment of Inertia Iyy:	16,68	cm ⁴
Moment of Inertia Izz:	1,66	cm ⁴
Resistance Modulus Wyy:	3,30	cm ³
Resistance Modulus Wzz:	0,54	cm ³
Position of center of gravity (cg):	y1= 9,17 z1=50,0	mm

Reaction to Fire:	A1	Tensile Strength:	>140	MPa
Material:	min. Class DX51D	Coating :	min. Class Z100	(7µm)
Release of Hazardous Substances:	Not any	Straightness:	<L/400	

Code: UW/40/125/40 x 0,6

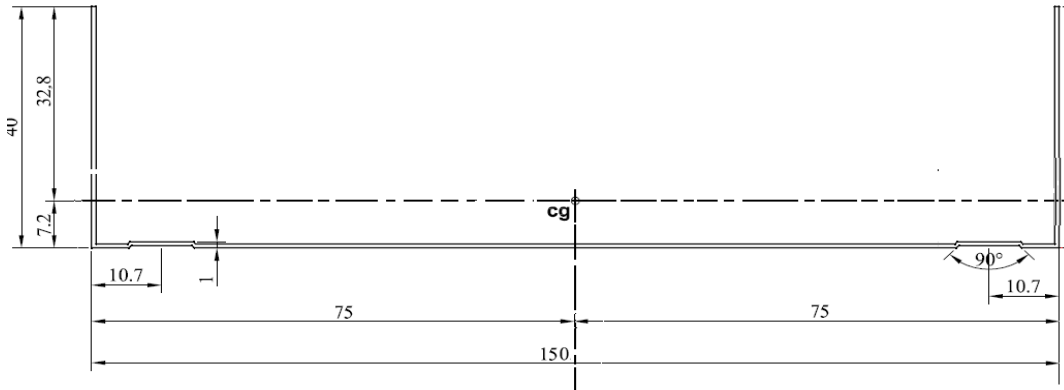


SCALE
1 : 1

<u>Dimension</u>	<u>Value</u>	<u>Unit</u>
Thickness:	0,6	mm
Section area:	50,00	cm ²
Unitary mass:	0,9599	kg/m
Moment of Inertia Iyy:	28,06	cm ⁴
Moment of Inertia Izz:	1,76	cm ⁴
Resistance Modulus Wyy:	4,44	cm ³
Resistance Modulus Wzz:	0,55	cm ³
Position of center of gravity (cg):	y1= 8,1 z1=62,5	mm

Reaction to Fire:	A1	Tensile Strength:	>140	MPa
Material:	min. Class DX51D	Coating :	min. Class Z100	(7µm)
Release of Hazardous Substances:	Not any	Straightness:	<L/400	

Code: UW/40/150/40 x 0,6



SCALE

1 : 1

<u>Dimension</u>	<u>Value</u>	<u>Unit</u>
Thickness:	0,6	mm
Section area:	60,00	cm ²
Unitary mass:	1,0776	kg/m
Moment of Inertia Iyy:	43,26	cm ⁴
Moment of Inertia Izz:	1,84	cm ⁴
Resistance Modulus Wyy:	5,71	cm ³
Resistance Modulus Wzz:	0,56	cm ³
Position of center of gravity (cg):	y1= 7,2 z1=75,0	mm

Reaction to Fire:	A1	Tensile Strength:	>140	MPa
Material:	min. Class DX51D	Coating :	min. Class Z100	(7µm)
Release of Hazardous Substances:	Not any	Straightness:	<L/400	