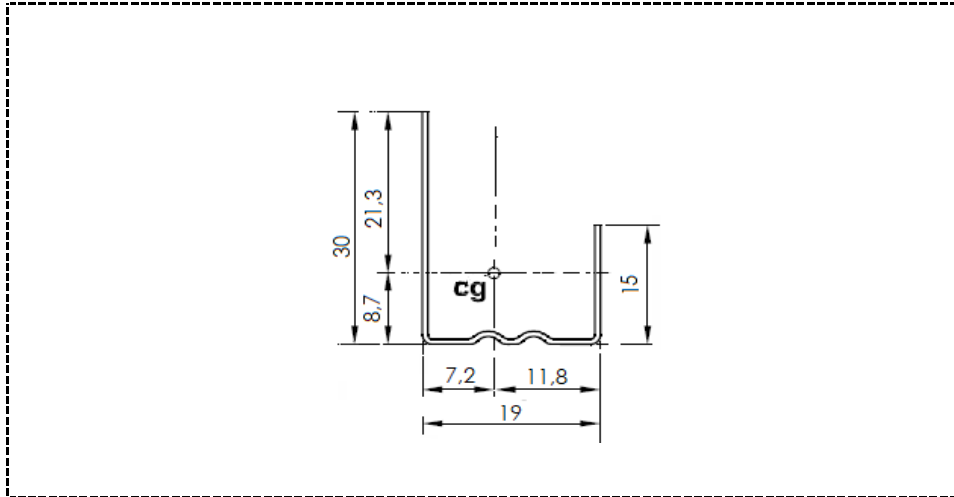


Code: UD / 30 / 19 / 15



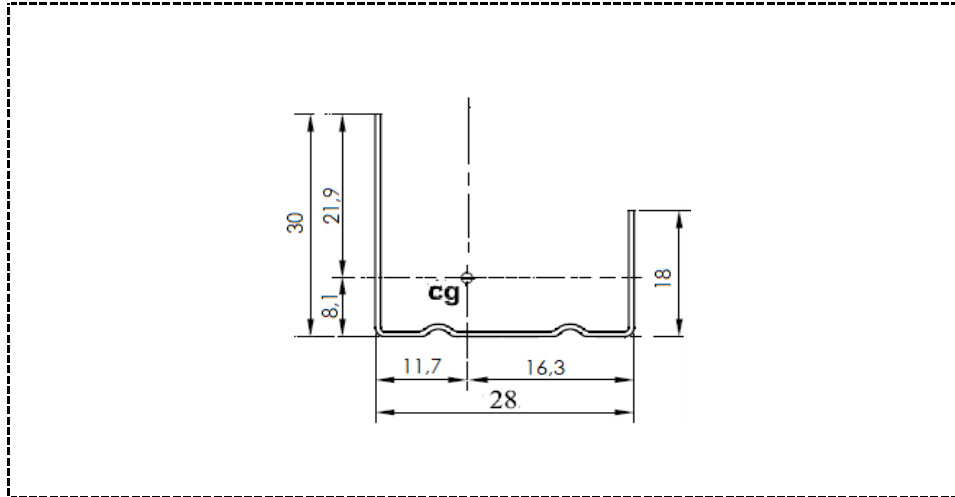
SCALE
1 : 1

<u>Dimension</u>	<u>Value</u>	<u>Unit</u>
Thickness:	0,45	mm
Section area:	5,70	cm ²
Unitary mass:	0,2350	kg/m
Moment of Inertia Iyy:	0,18	cm ⁴
Moment of Inertia Izz:	0,23	cm ⁴
Resistance Modulus Wyy:	0,16	cm ³
Resistance Modulus Wzz:	0,11	cm ³
Position of center of gravity (cg):	y1= 8,74 z1=7,22	mm

Reaction to Fire:	A1	Tensile Strength:	>140	MPa
Material:	min. Class DX51D	Coating :	min. Class Z100	(7µm)
Release of Hazardous Substances:	Not any	Straightness:	<L/400	

ΔΙΑΜΟΡΦΩΤΙΚΗ Α

Code: UD / 30 / 28 / 18



SCALE

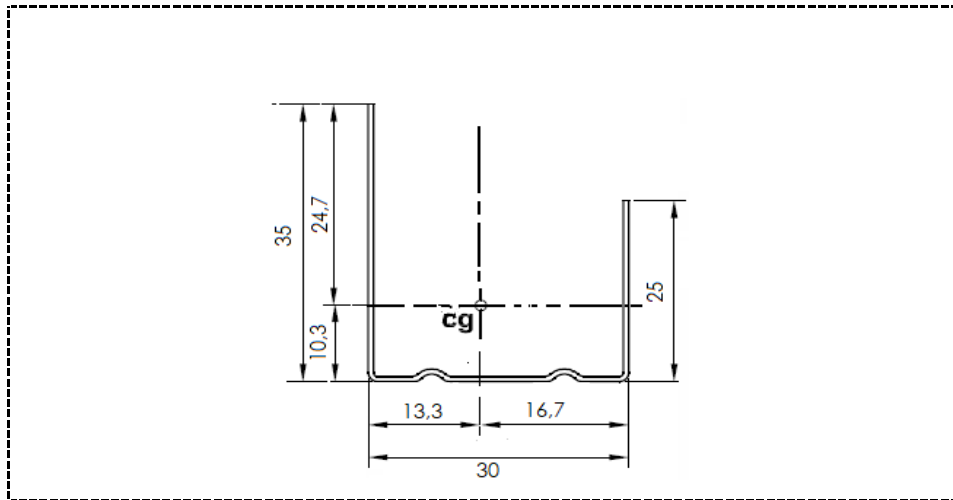
1 : 1

<u>Dimension</u>	<u>Value</u>	<u>Unit</u>
Thickness:	0,45	mm
Section area:	8,40	cm ²
Unitary mass:	0,2774	kg/m
Moment of Inertia Iyy:	0,47	cm ⁴
Moment of Inertia Izz:	0,27	cm ⁴
Resistance Modulus Wyy:	0,29	cm ³
Resistance Modulus Wzz:	0,12	cm ³
Position of center of gravity (cg):	y1= 8,05 z1=11,75	mm

Reaction to Fire:	A1	Tensile Strength:	>140	MPa
Material:	min. Class DX51D	Coating :	min. Class Z100	(7µm)
Release of Hazardous Substances:	Not any	Straightness:	<L/400	

ΔΙΑΜΟΡΦΩΤΙΚΗ ΑΒΕΕ

Code: UD / 35 / 30 / 25



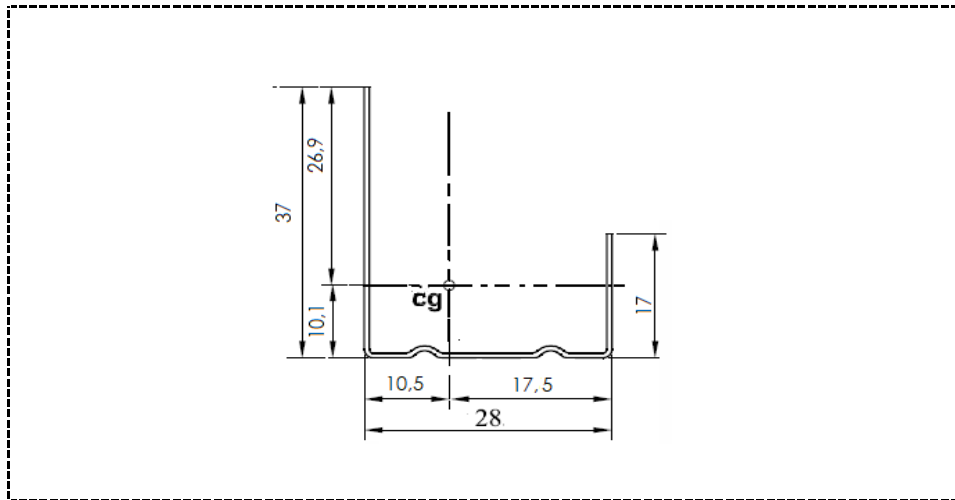
SCALE

1 : 1

<u>Dimension</u>	<u>Value</u>	<u>Unit</u>
Thickness:	0,45	mm
Section area:	10,50	cm ²
Unitary mass:	0,3268	kg/m
Moment of Inertia Iyy:	0,67	cm ⁴
Moment of Inertia Izz:	0,45	cm ⁴
Resistance Modulus Wyy:	0,40	cm ³
Resistance Modulus Wzz:	0,18	cm ³
Position of center of gravity (cg):	y1= 10,26 z1=13,31	mm

Reaction to Fire:	A1	Tensile Strength:	>140	MPa
Material:	min. Class DX51D	Coating :	min. Class Z100	(7µm)
Release of Hazardous Substances:	Not any	Straightness:	<L/400	

Code: UD / 37 / 28 / 17

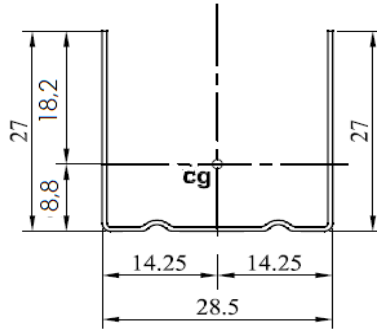


SCALE
1 : 1

<u>Dimension</u>	<u>Value</u>	<u>Unit</u>
Thickness:	0,45	mm
Section area:	10,36	cm ²
Unitary mass:	0,2985	kg/m
Moment of Inertia Iyy:	0,50	cm ⁴
Moment of Inertia Izz:	0,45	cm ⁴
Resistance Modulus Wyy:	0,28	cm ³
Resistance Modulus Wzz:	0,17	cm ³
Position of center of gravity (cg):	y1= 10,09 z1=10,53	mm

Reaction to Fire:	A1	Tensile Strength:	>140	MPa
Material:	min. Class DX51D	Coating :	min. Class Z100	(7µm)
Release of Hazardous Substances:	Not any	Straightness:	<L/400	

Code: UD / 27 / 28 , 5 / 27



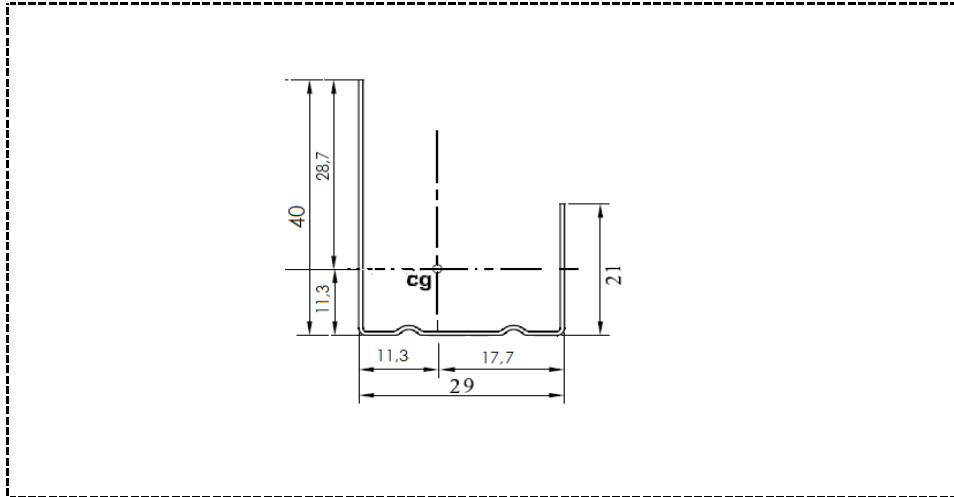
SCALE

1 : 1

<u>Dimension</u>	<u>Value</u>	<u>Unit</u>
Thickness:	0,45	mm
Section area:	7,70	cm ²
Unitary mass:	0,3004	kg/m
Moment of Inertia Iyy:	0,56	cm ⁴
Moment of Inertia Izz:	0,30	cm ⁴
Resistance Modulus Wyy:	0,39	cm ³
Resistance Modulus Wzz:	0,16	cm ³
Position of center of gravity (cg):	y1= 8,83 z1=14,25	mm

Reaction to Fire:	A1	Tensile Strength:	>140	MPa
Material:	min. Class DX51D	Coating :	min. Class Z100	(7µm)
Release of Hazardous Substances:	Not any	Straightness:	<L/400	

Code: UD / 4 0 / 2 9 / 2 1



SCALE
1 : 1

<u>Dimension</u>	<u>Value</u>	<u>Unit</u>
Thickness:	0,45	mm
Section area:	11,60	cm ²
Unitary mass:	0,3389	kg/m
Moment of Inertia Iyy:	0,61	cm ⁴
Moment of Inertia Izz:	0,58	cm ⁴
Resistance Modulus Wyy:	0,34	cm ³
Resistance Modulus Wzz:	0,20	cm ³
Position of center of gravity (cg):	y1= 11,31 z1=11,34	mm

Reaction to Fire:	A1	Tensile Strength:	>140	MPa
Material:	min. Class DX51D	Coating :	min. Class Z100	(7µm)
Release of Hazardous Substances:	Not any	Straightness:	<L/400	