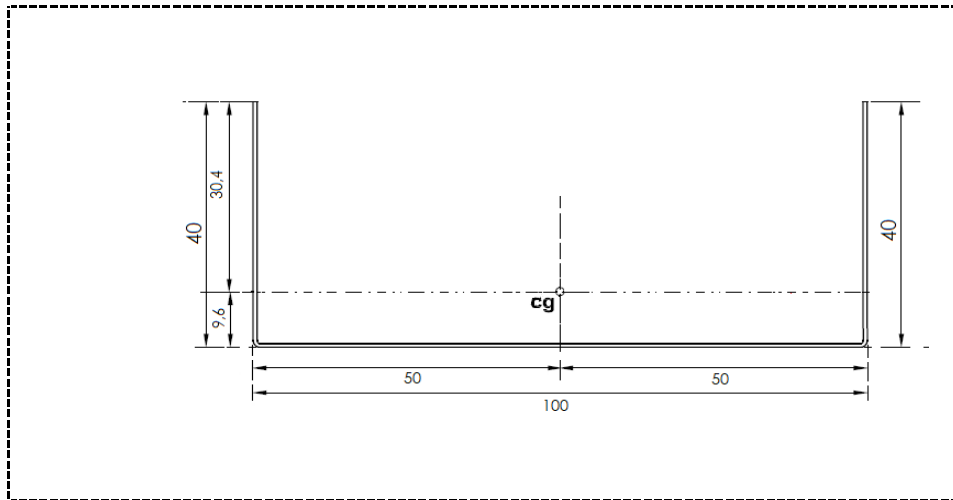


Code: UA / 40 / 100 / 40

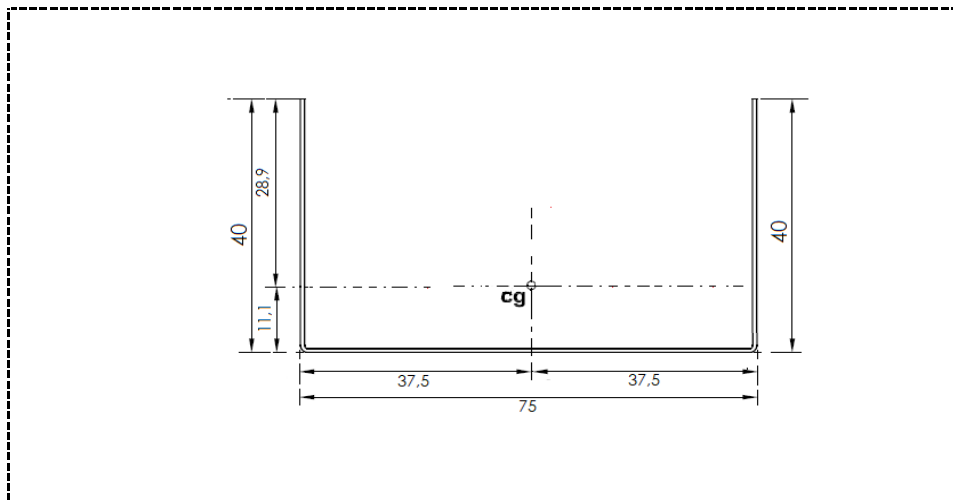


SCALE
1 : 1

<u>Dimension</u>	<u>Value</u>	<u>Unit</u>
Thickness:	2,00	mm
Section area:	40,00	cm ²
Unitary mass:	2,7632	kg/m
Moment of Inertia Iyy:	53,17	cm ⁴
Moment of Inertia Izz:	5,29	cm ⁴
Resistance Modulus Wyy:	10,63	cm ³
Resistance Modulus Wzz:	1,74	cm ³
Position of center of gravity (cg):	y1= 9,64 z1=50,00	mm

Reaction to Fire:	A1	Tensile Strength:	>140	MPa
Material:	min. Class DX51D	Coating :	min. Class Z100	(7µm)
Release of Hazardous Substances:	Not any	Straightness:	<L/400	

Code: UA / 40 / 75 / 40

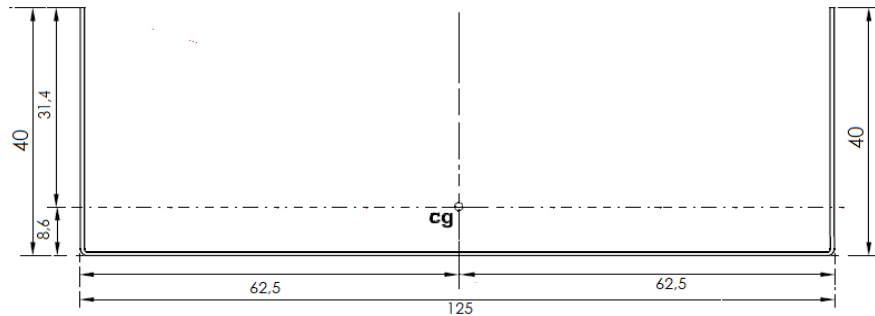


SCALE
1 : 1

<u>Dimension</u>	<u>Value</u>	<u>Unit</u>
Thickness:	2,00	mm
Section area:	30,00	cm ²
Unitary mass:	2,3707	kg/m
Moment of Inertia Iyy:	27,29	cm ⁴
Moment of Inertia Izz:	4,85	cm ⁴
Resistance Modulus Wyy:	7,28	cm ³
Resistance Modulus Wzz:	1,68	cm ³
Position of center of gravity (cg):	y1= 11,07 z1=37,50	mm

Reaction to Fire:	A1	Tensile Strength:	>140	MPa
Material:	min. Class DX51D	Coating :	min. Class Z100	(7µm)
Release of Hazardous Substances:	Not any	Straightness:	<L/400	

Code: UA / 40 / 125 / 40



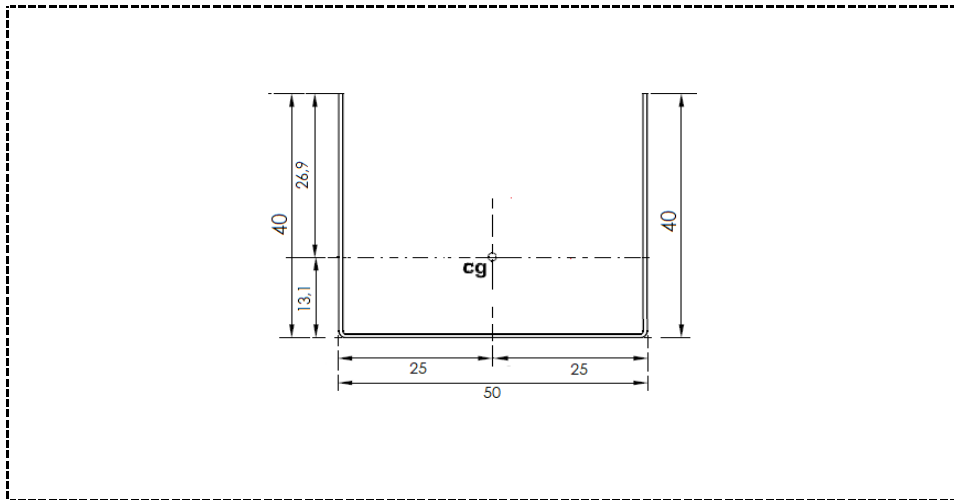
SCALE

1 : 1

<u>Dimension</u>	<u>Value</u>	<u>Unit</u>
Thickness:	2,00	mm
Section area:	50,00	cm ²
Unitary mass:	3,1557	kg/m
Moment of Inertia Iyy:	90,05	cm ⁴
Moment of Inertia Izz:	5,62	cm ⁴
Resistance Modulus Wyy:	14,41	cm ³
Resistance Modulus Wzz:	1,79	cm ³
Position of center of gravity (cg):	y1= 8,56 z1=62,50	mm

Reaction to Fire:	A1	Tensile Strength:	>140	MPa
Material:	min. Class DX51D	Coating :	min. Class Z100	(7µm)
Release of Hazardous Substances:	Not any	Straightness:	<L/400	

Code: UA / 40 / 50 / 40

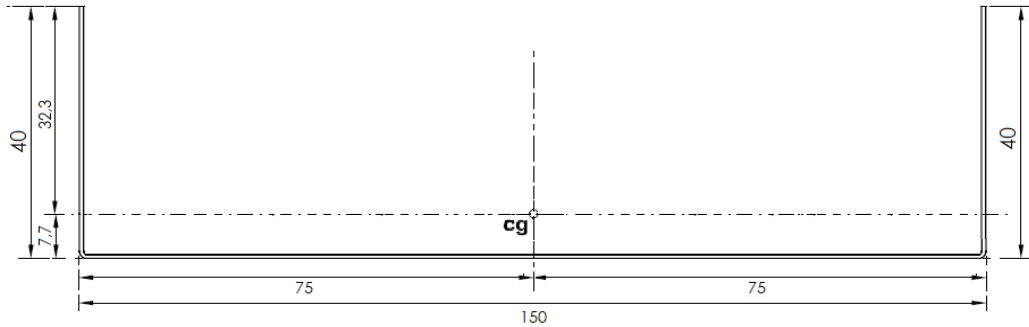


SCALE
1 : 1

<u>Dimension</u>	<u>Value</u>	<u>Unit</u>
Thickness:	2,00	mm
Section area:	20,00	cm ²
Unitary mass:	1,9782	kg/m
Moment of Inertia Iyy:	10,84	cm ⁴
Moment of Inertia Izz:	4,25	cm ⁴
Resistance Modulus Wyy:	4,34	cm ³
Resistance Modulus Wzz:	1,58	cm ³
Position of center of gravity (cg):	y1= 13,06 z1=25,00	mm

Reaction to Fire:	A1	Tensile Strength:	>140	MPa
Material:	min. Class DX51D	Coating :	min. Class Z100	(7µm)
Release of Hazardous Substances:	Not any	Straightness:	<L/400	

Code: UA / 40 / 150 / 40



SCALE

1 : 1

<u>Dimension</u>	<u>Value</u>	<u>Unit</u>
Thickness:	2,00	mm
Section area:	60,00	cm ²
Unitary mass:	3,5482	kg/m
Moment of Inertia Iyy:	139,49	cm ⁴
Moment of Inertia Izz:	5,87	cm ⁴
Resistance Modulus Wyy:	18,60	cm ³
Resistance Modulus Wzz:	1,82	cm ³
Position of center of gravity (cg):	y1= 7,73 z1=75,00	mm
Reaction to Fire:	A1	Tensile Strength: >140 MPa
Material:	min. Class DX51D	Coating : min. Class Z100 (7µm)
Release of Hazardous Substances:	Not any	Straightness: <L/400