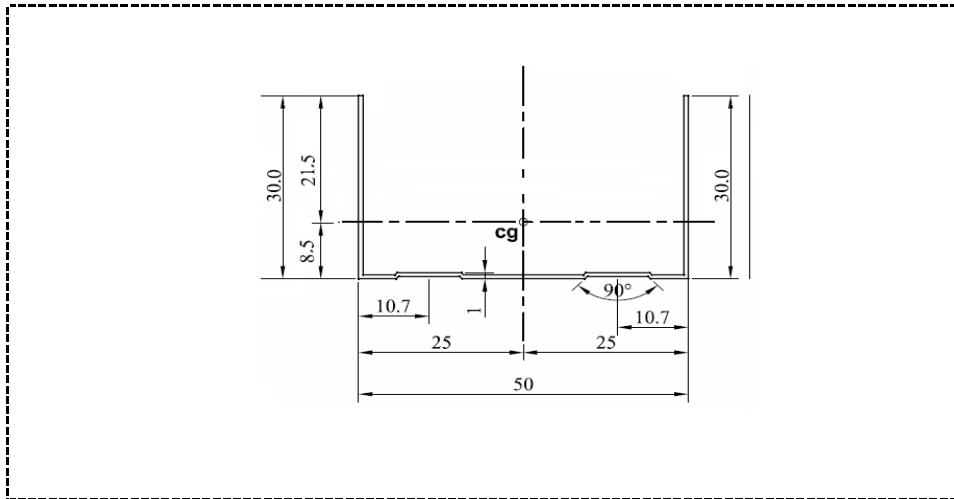


Code: U / 30 / 50 / 30 x 0 , 45



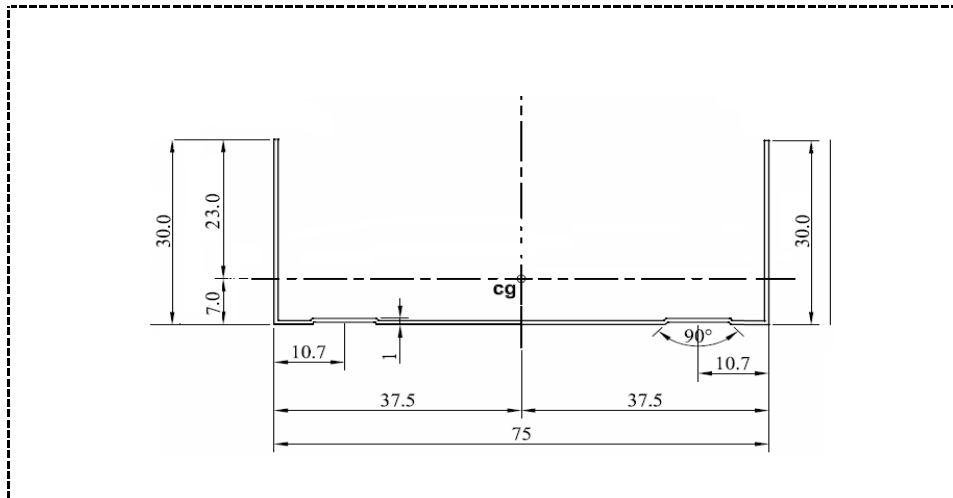
SCALE

1 : 1

| <u>Dimension</u>                    | <u>Value</u>            | <u>Unit</u>     |
|-------------------------------------|-------------------------|-----------------|
| Thickness:                          | 0 , 45                  | mm              |
| Section area:                       | 15 , 00                 | cm <sup>2</sup> |
| Unitary mass:                       | 0 , 3854                | kg/m            |
| Moment of Inertia Iyy:              | 2 , 10                  | cm <sup>4</sup> |
| Moment of Inertia Izz:              | 0 , 46                  | cm <sup>4</sup> |
| Resistance Modulus Wyy:             | 0 , 83                  | cm <sup>3</sup> |
| Resistance Modulus Wzz:             | 0 , 21                  | cm <sup>3</sup> |
| Position of center of gravity (cg): | y1= 8 , 47    z1=25 , 0 | mm              |

|                                  |                  |                   |                 |       |
|----------------------------------|------------------|-------------------|-----------------|-------|
| Reaction to Fire:                | A1               | Tensile Strength: | >140            | MPa   |
| Material:                        | min. Class DX51D | Coating :         | min. Class Z100 | (7µm) |
| Release of Hazardous Substances: | Not any          | Straightness:     | <L/400          |       |

Code: U / 30 / 75 / 30 x 0 , 45



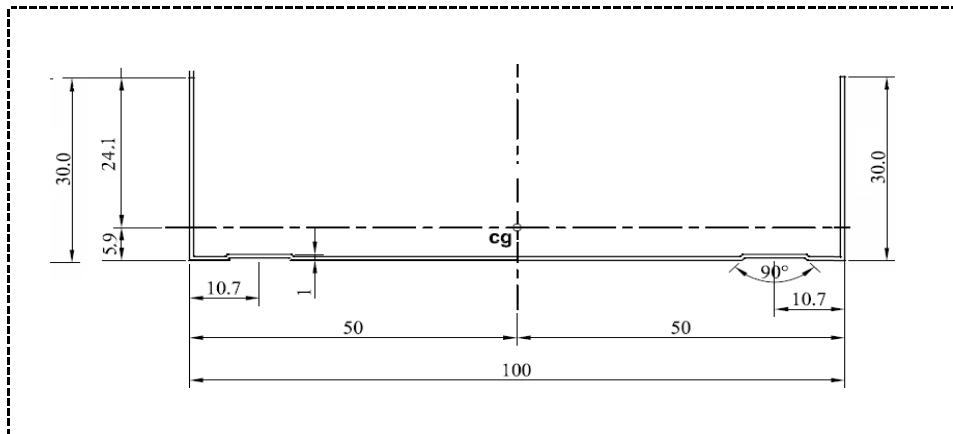
SCALE  
1 : 1

| <u>Dimension</u>                    | <u>Value</u>        | <u>Unit</u>     |
|-------------------------------------|---------------------|-----------------|
| Thickness:                          | 0,45                | mm              |
| Section area:                       | 22,50               | cm <sup>2</sup> |
| Unitary mass:                       | 0,4737              | kg/m            |
| Moment of Inertia Iyy:              | 5,28                | cm <sup>4</sup> |
| Moment of Inertia Izz:              | 0,52                | cm <sup>4</sup> |
| Resistance Modulus Wyy:             | 1,39                | cm <sup>3</sup> |
| Resistance Modulus Wzz:             | 0,23                | cm <sup>3</sup> |
| Position of center of gravity (cg): | y1= 6,96    z1=37,5 | mm              |

|                                  |                  |                   |                 |       |
|----------------------------------|------------------|-------------------|-----------------|-------|
| Reaction to Fire:                | A1               | Tensile Strength: | >140            | MPa   |
| Material:                        | min. Class DX51D | Coating :         | min. Class Z100 | (7µm) |
| Release of Hazardous Substances: | Not any          | Straightness:     | <L/400          |       |

ΔΙΑΜΟΡΦΩΤΙΚΗ ΑΒΕΕ

Code: U / 30 / 100 / 30 x 0 , 45



SCALE  
1 : 1

| Dimension                           | Value               | Unit            |
|-------------------------------------|---------------------|-----------------|
| Thickness:                          | 0,45                | mm              |
| Section area:                       | 30,00               | cm <sup>2</sup> |
| Unitary mass:                       | 0,5620              | kg/m            |
| Moment of Inertia Iyy:              | 10,34               | cm <sup>4</sup> |
| Moment of Inertia Izz:              | 0,56                | cm <sup>4</sup> |
| Resistance Modulus Wyy:             | 2,05                | cm <sup>3</sup> |
| Resistance Modulus Wzz:             | 0,23                | cm <sup>3</sup> |
| Position of center of gravity (cg): | y1= 5,88    z1=50,0 | mm              |

|                                  |                  |                   |                 |       |
|----------------------------------|------------------|-------------------|-----------------|-------|
| Reaction to Fire:                | A1               | Tensile Strength: | >140            | MPa   |
| Material:                        | min. Class DX51D | Coating :         | min. Class Z100 | (7µm) |
| Release of Hazardous Substances: | Not any          | Straightness:     | <L/400          |       |