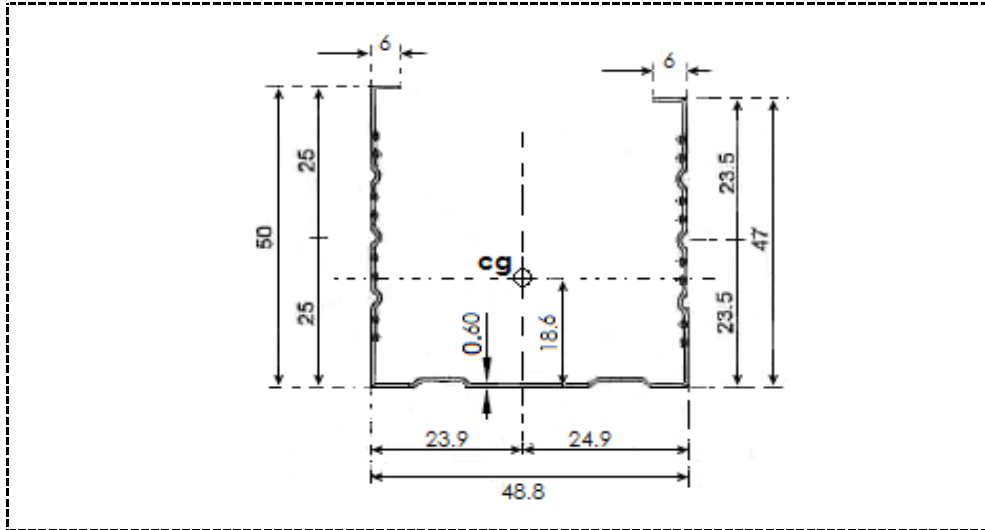




Code: CW/6/47/48,8/50/6 x 0,6



SCALE

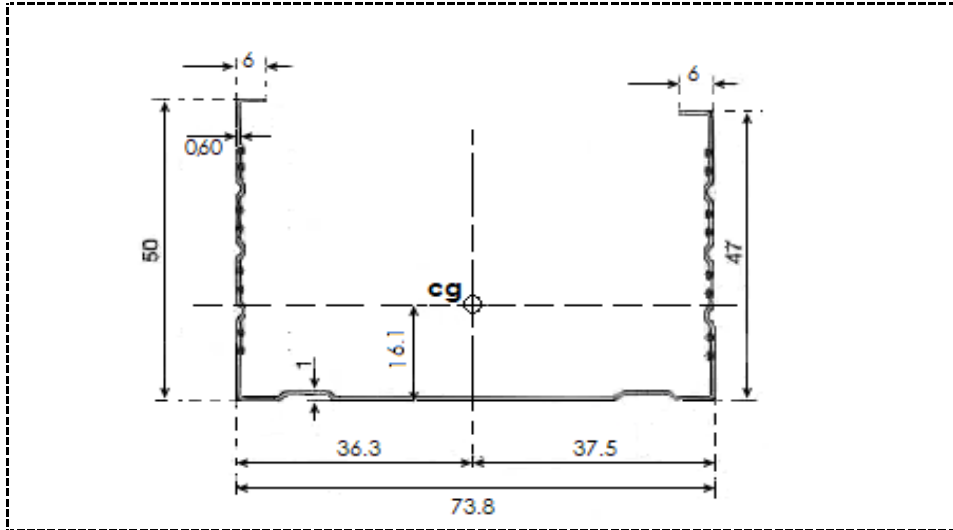
1 : 1

Dimension	Value	Unit
Section area:	24,40	cm ²
Unitary mass:	0,7333	kg/m
Moment of Inertia Iyy:	4,21	cm ⁴
Moment of Inertia Izz:	2,61	cm ⁴
Resistance Modulus Wyy:	1,69	cm ³
Resistance Modulus Wzz:	0,82	cm ³
Position of center of gravity (cg):	y1= 18,65 z1=23,92	mm

Reaction to Fire:	A1	Tensile Strength:	>140	MPa
Material:	min. Class DX51D	Coating :	min. Class Z100	(7μm)
Release of Hazardous Substances:	Not any	Straightness:	<L/400	



Code: CW/6/47/73,8/50/6 x0,6



SCALE

1 : 1

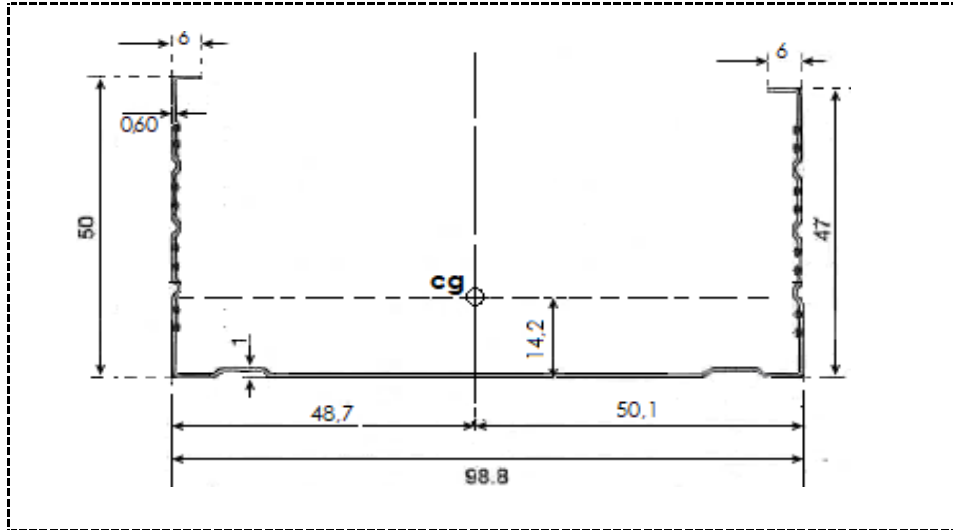
<u>Dimension</u>	<u>Value</u>	<u>Unit</u>
Section area:	36,90	cm ²
Unitary mass:	0,8510	kg/m
Moment of Inertia Iyy:	9,73	cm ⁴
Moment of Inertia Izz:	3,07	cm ⁴
Resistance Modulus Wyy:	2,59	cm ³
Resistance Modulus Wzz:	0,90	cm ³
Position of center of gravity (cg):	y1= 16,11 z1=36,28	mm

Reaction to Fire:	A1	Tensile Strength:	>140	MPa
Material:	min. Class DX51D	Coating :	min. Class Z100	(7μm)
Release of Hazardous Substances:	Not any	Straightness:	<L/400	



ΔΙΑΜΟΡΦΩΤΙΚΗ ΑΒΕΕ

Code: CW/6/47/98,8/50/6 x 0,6



SCALE

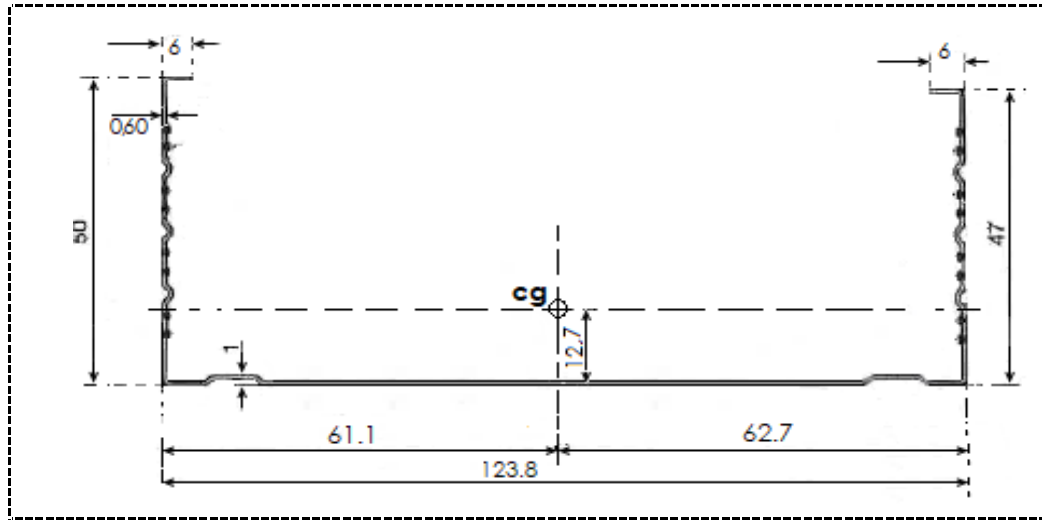
1 : 1

Dimension	Value	Unit
Section area:	49,40	cm ²
Unitary mass:	0,9688	kg/m
Moment of Inertia Iyy:	18,65	cm ⁴
Moment of Inertia Izz:	3,38	cm ⁴
Resistance Modulus Wyy:	3,72	cm ³
Resistance Modulus Wzz:	0,94	cm ³
Position of center of gravity (cg):	y1= 14,18 z1=48,67	mm

Reaction to Fire:	A1	Tensile Strength:	>140	MPa
Material:	min. Class DX51D	Coating :	min. Class Z100	(7μm)
Release of Hazardous Substances:	Not any	Straightness:	<L/400	



Code: CW/6/47/123,8/50/6 x 0,6



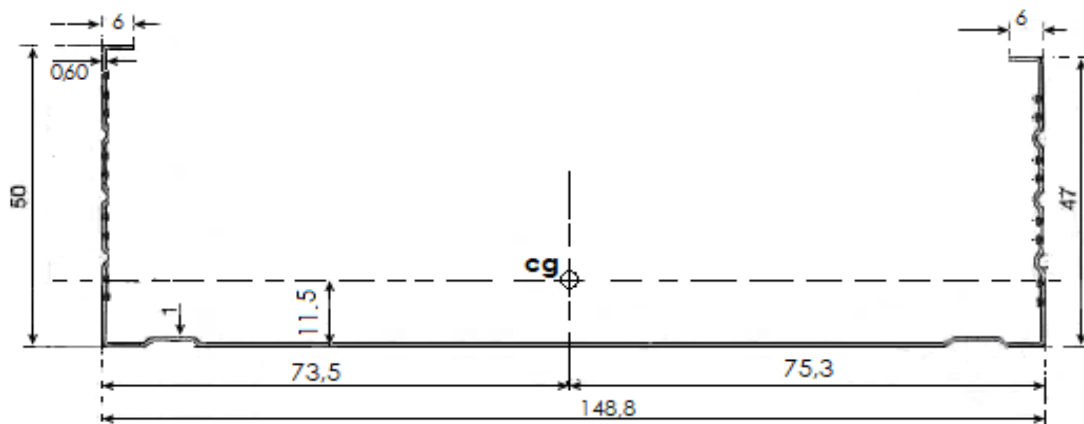
SCALE
1 : 1

Dimension	Value	Unit
Section area:	61,90	cm ²
Unitary mass:	1,0865	kg/m
Moment of Inertia Iyy:	31,19	cm ⁴
Moment of Inertia Izz:	3,62	cm ⁴
Resistance Modulus Wyy:	4,97	cm ³
Resistance Modulus Wzz:	0,97	cm ³
Position of center of gravity (cg):	y1= 12,68 z1=61,09	mm

Reaction to Fire:	A1	Tensile Strength:	>140	MPa
Material:	min. Class DX51D	Coating :	min. Class Z100	(7µm)
Release of Hazardous Substances:	Not any	Straightness:	<L/400	



ΔΙΑΜΟΡΦΩΤΙΚΗ ΑΒΕΕ

Code: CW/6/47/148,8/50/6 x 0,6

SCALE

1 : 1

Dimension	Value	Unit
Section area:	74,40	cm ²
Unitary mass:	1,2043	kg/m
Moment of Inertia I _{yy} :	47,80	cm ⁴
Moment of Inertia I _{zz} :	3,82	cm ⁴
Resistance Modulus W _{yy} :	6,35	cm ³
Resistance Modulus W _{zz} :	0,99	cm ³
Position of center of gravity (cg):	y ₁ = 11,47 z ₁ =73,52	mm

Reaction to Fire:	A1	Tensile Strength:	>140	MPa
Material:	min. Class DX51D	Coating :	min. Class Z100	(7μm)
Release of Hazardous Substances:	Not any	Straightness:	<L/400	