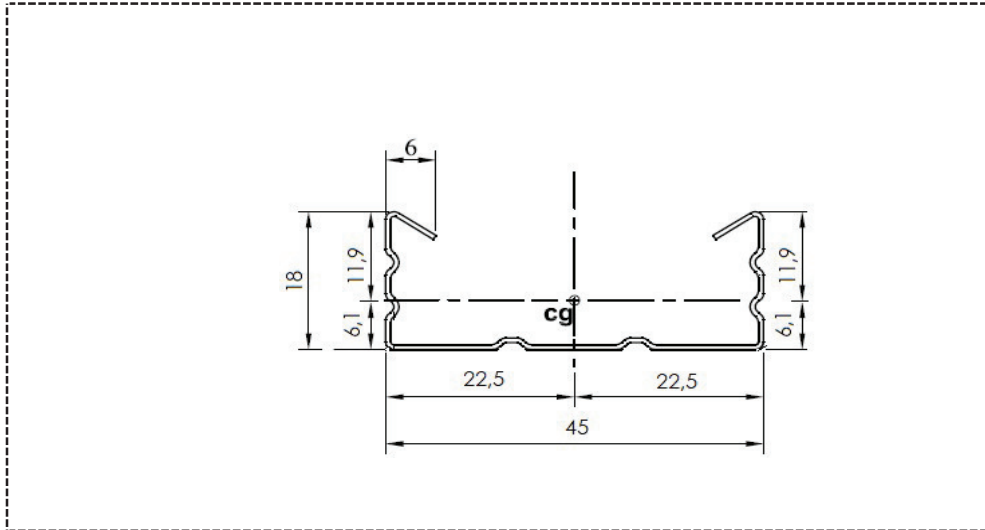


Code: CD / 6 / 18 / 45 / 18 / 6 x 0,5



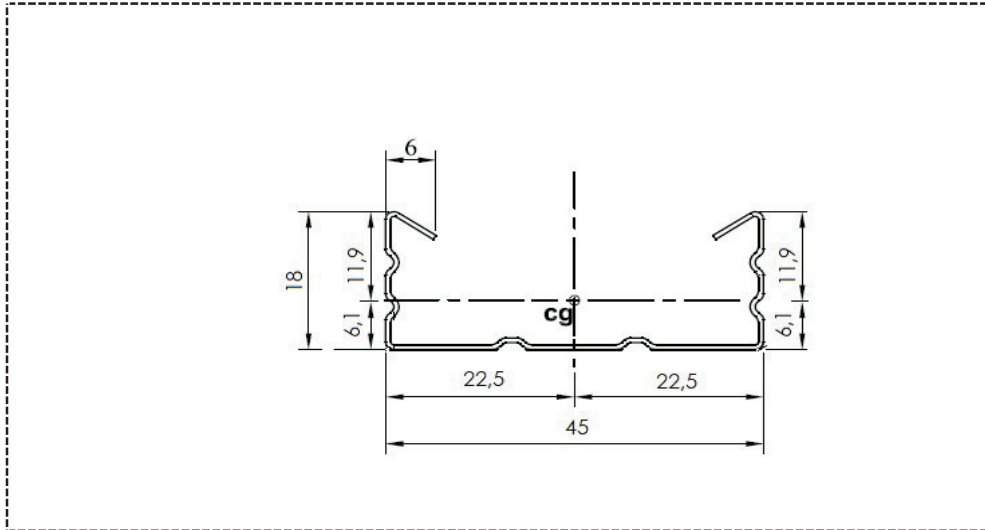
SCALE

1 : 1

Dimension	Value	Unit
Thickness:	0,50	mm
Section area:	8,10	cm ²
Unitary mass:	0,3622	kg/m
Moment of Inertia Iyy:	1,46	cm ⁴
Moment of Inertia Izz:	0,16	cm ⁴
Resistance Modulus Wyy:	0,65	cm ³
Resistance Modulus Wzz:	0,14	cm ³
Position of center of gravity (cg):	y1= 6,08 z1=22,50	mm

Reaction to Fire:	A1	Tensile Strength:	>140	MPa
Material:	min. Class DX51D	Coating :	min. Class Z100	(7µm)
Release of Hazardous Substances:	Not any	Straightness:	<L/400	

Code: CD / 6 / 18 / 45 / 18 / 6 x 0 , 6



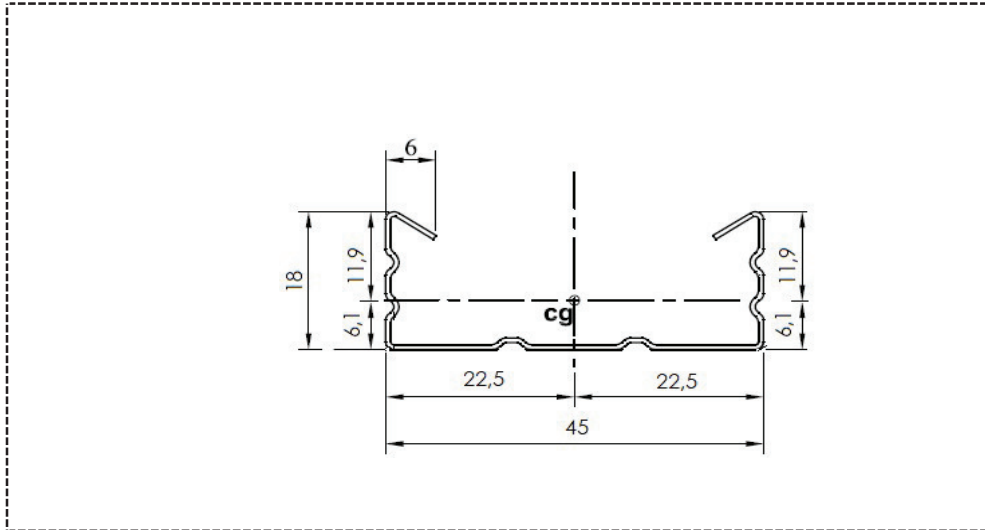
SCALE

1 : 1

Dimension	Value	Unit
Thickness:	0 , 60	mm
Section area:	8 , 10	cm ²
Unitary mass:	0 , 4328	kg/m
Moment of Inertia Iyy:	1 , 74	cm ⁴
Moment of Inertia Izz:	0 , 19	cm ⁴
Resistance Modulus Wyy:	0 , 77	cm ³
Resistance Modulus Wzz:	0 , 16	cm ³
Position of center of gravity (cg):	y1= 6 , 06 z1=22 , 50	mm

Reaction to Fire:	A1	Tensile Strength:	>140	MPa
Material:	min. Class DX51D	Coating :	min. Class Z100	(7µm)
Release of Hazardous Substances:	Not any	Straightness:	<L/400	

Code: CD / 6 / 18 / 45 / 18 / 6 x 0 , 45



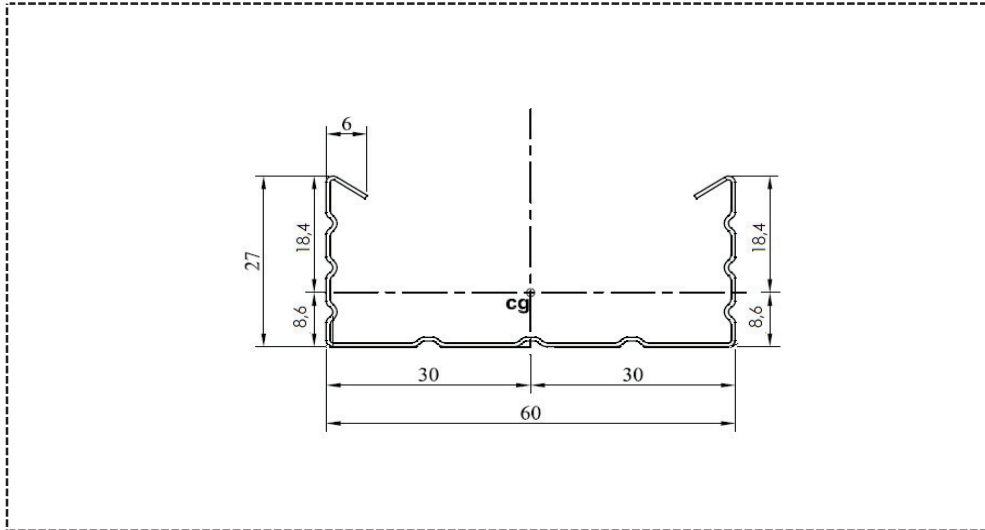
SCALE

1 : 1

Dimension	Value	Unit
Thickness:	0 , 45	mm
Section area:	8 , 10	cm ²
Unitary mass:	0 , 3267	kg/m
Moment of Inertia Iyy:	1 , 32	cm ⁴
Moment of Inertia Izz:	0 , 15	cm ⁴
Resistance Modulus Wyy:	0 , 59	cm ³
Resistance Modulus Wzz:	0 , 12	cm ³
Position of center of gravity (cg):	y1= 6 , 09 z1=22 , 50	mm

Reaction to Fire:	A1	Tensile Strength:	>140	MPa
Material:	min. Class DX51D	Coating :	min. Class Z100	(7µm)
Release of Hazardous Substances:	Not any	Straightness:	<L/400	

Code: CD/6/27/60/27/6 x 0,5



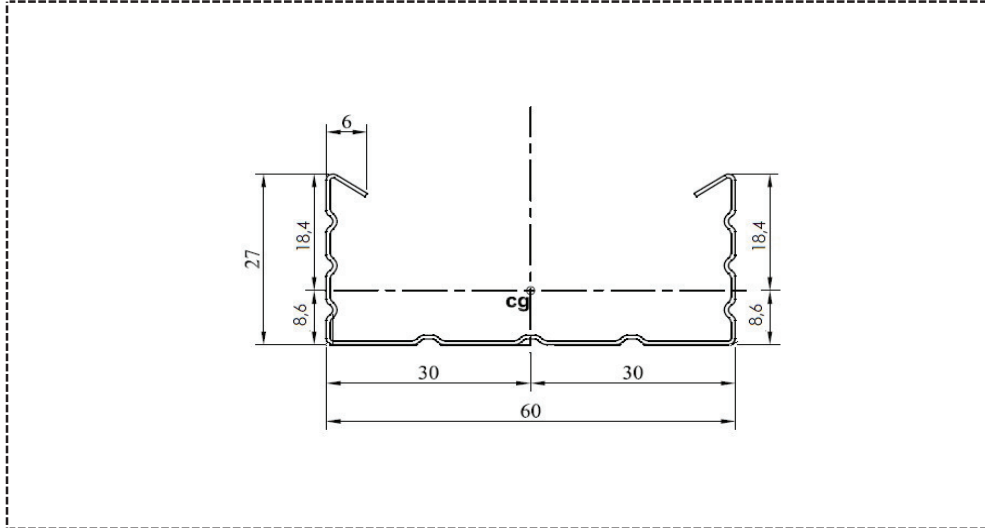
SCALE

1 : 1

Dimension	Value	Unit
Thickness:	0,50	mm
Section area:	16,20	cm ²
Unitary mass:	0,5510	kg/m
Moment of Inertia Iyy:	4,12	cm ⁴
Moment of Inertia Izz:	0,54	cm ⁴
Resistance Modulus Wyy:	1,37	cm ³
Resistance Modulus Wzz:	0,29	cm ³
Position of center of gravity (cg):	y1= 8,61 z1=30,00	mm

Reaction to Fire:	A1	Tensile Strength:	>140	MPa
Material:	min. Class DX51D	Coating :	min. Class Z100	(7µm)
Release of Hazardous Substances:	Not any	Straightness:	<L/400	

Code: CD/6/27/60/27/6 x 0,6



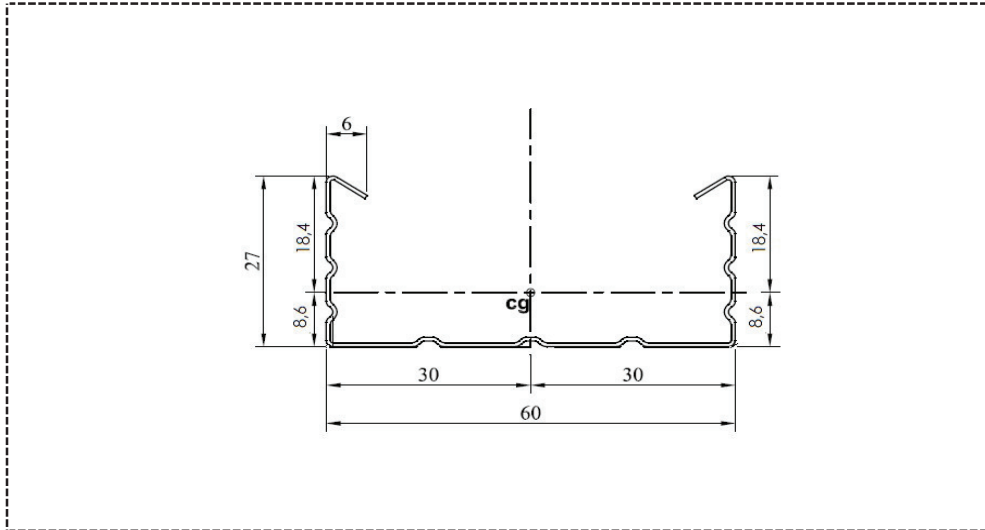
SCALE

1 : 1

Dimension	Value	Unit
Thickness:	0,60	mm
Section area:	16,20	cm ²
Unitary mass:	0,6593	kg/m
Moment of Inertia Iyy:	4,82	cm ⁴
Moment of Inertia Izz:	0,64	cm ⁴
Resistance Modulus Wyy:	1,61	cm ³
Resistance Modulus Wzz:	0,35	cm ³
Position of center of gravity (cg):	y1= 8,59 z1=30,00	mm

Reaction to Fire:	A1	Tensile Strength:	>140	MPa
Material:	min. Class DX51D	Coating :	min. Class Z100	(7µm)
Release of Hazardous Substances:	Not any	Straightness:	<L/400	

Code: CD/6/27/60/27/6 x 0,45



SCALE

1 : 1

Dimension	Value	Unit
Thickness:	0,45	mm
Section area:	16,20	cm ²
Unitary mass:	0,4966	kg/m
Moment of Inertia Iyy:	3,77	cm ⁴
Moment of Inertia Izz:	0,49	cm ⁴
Resistance Modulus Wyy:	1,26	cm ³
Resistance Modulus Wzz:	0,27	cm ³
Position of center of gravity (cg):	y1= 8,62 z1=30,00	mm

Reaction to Fire:	A1	Tensile Strength:	>140	MPa
Material:	min. Class DX51D	Coating :	min. Class Z100	(7µm)
Release of Hazardous Substances:	Not any	Straightness:	<L/400	